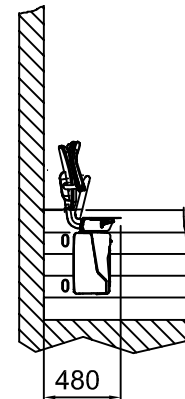
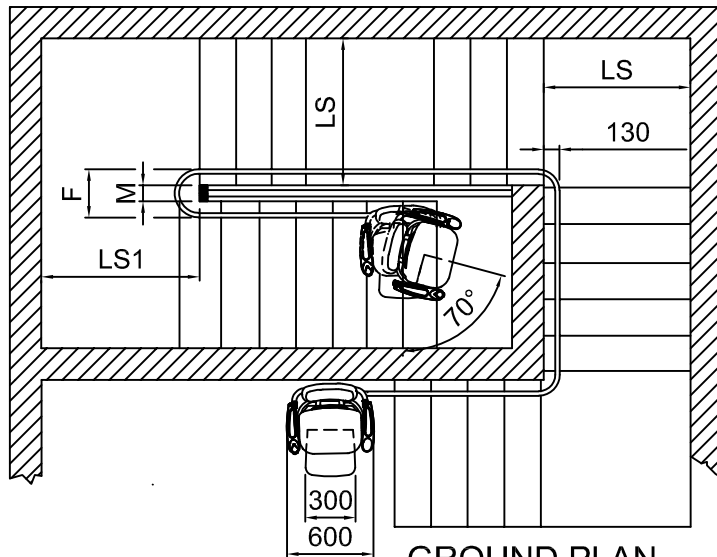
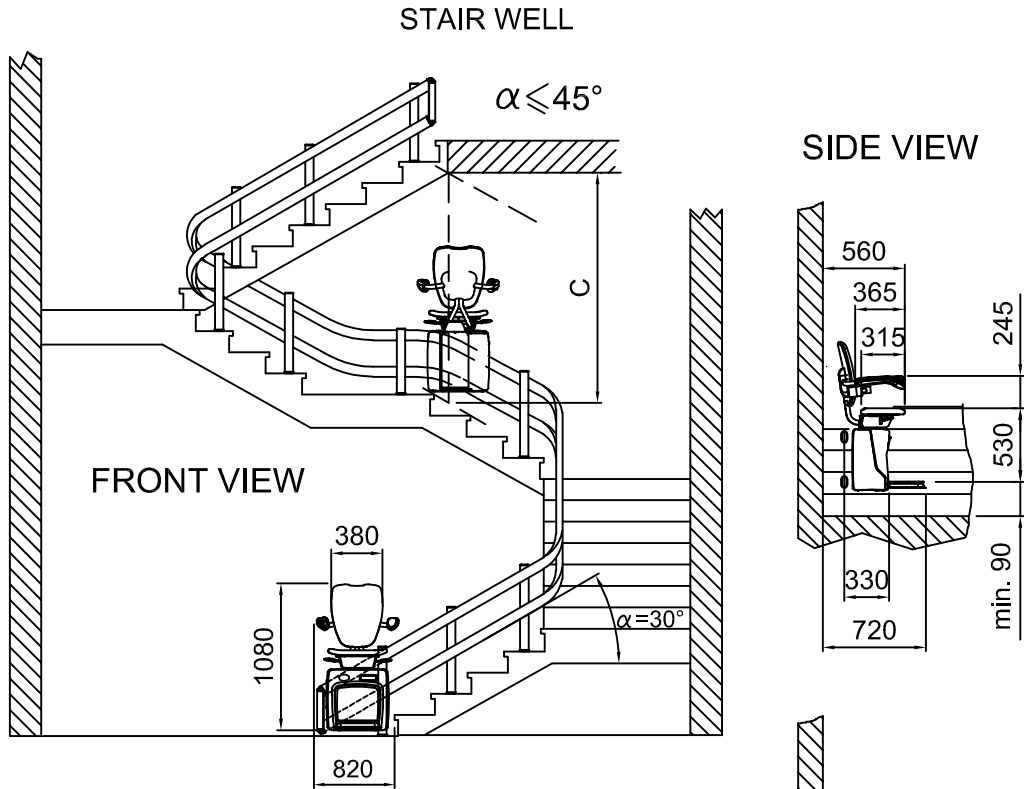


EQUIPMENT WITH RAIL ON THE INTERNAL SIDE OF THE STAIRCASE



Pg 1/2

GROUND PLAN

DATA	CODICE	REV.
07/06/19	8625900	C

TECHNICAL FEATURES

Rated Load	Power	Voltage	Motor Voltage	Auxiliary voltage	Speed
130 [daN]	0.5 [KW]	230 [V-mon.]	24 [V-cc]	24 [V-cc]	6 [m/min.]

INSTALLATION REQUIREMENTS

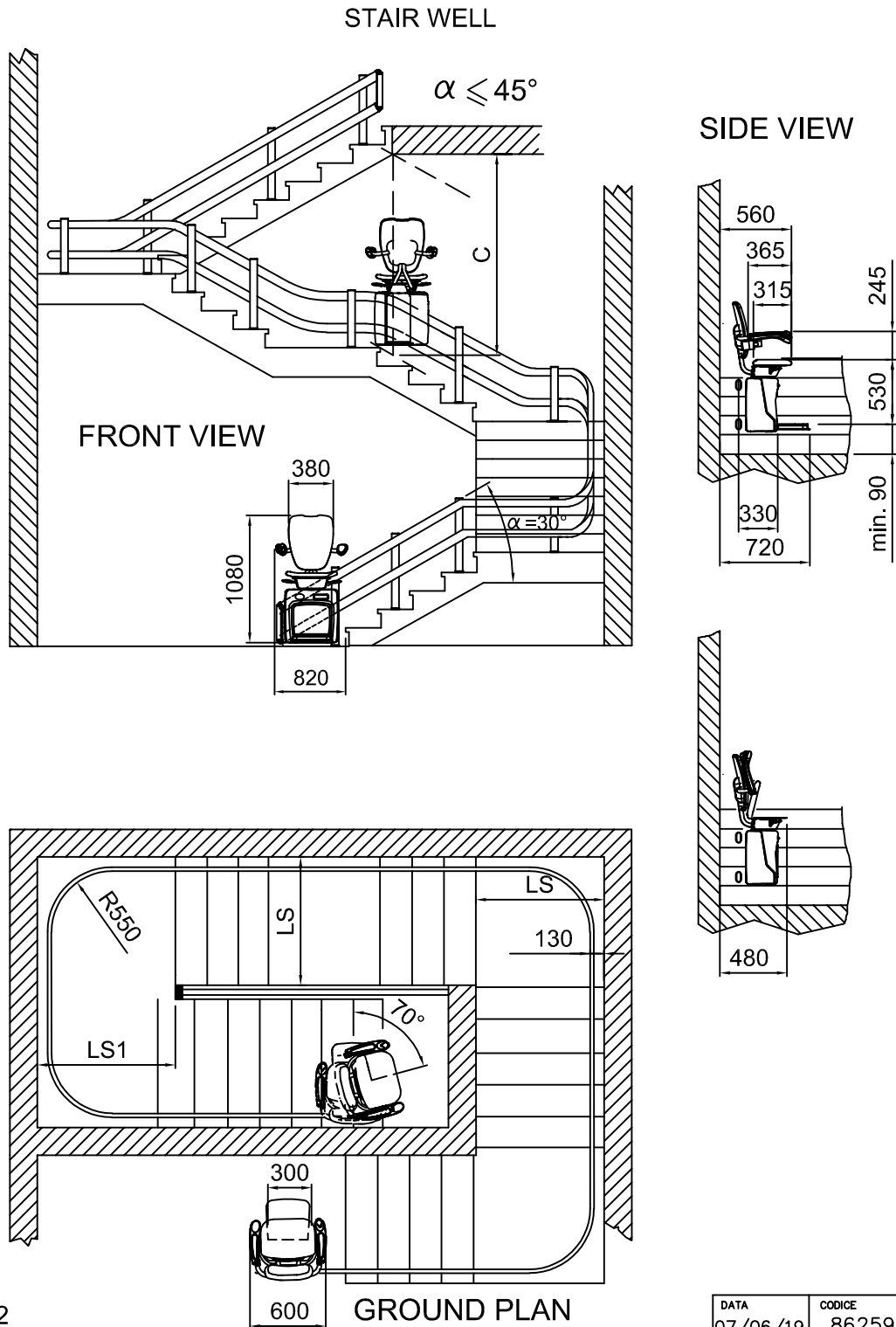
OVERALL DIMENSIONS

LS	FOR STRAIGHT UNIT SWIVEL SEAT	min. 770	F	WITH 0<M<100	360	
LS1	FOR UNIT WITH CURVES SWIVEL SEAT	min. 790		WITH 100<M<200	460	445
C	FOR UNIT WITH CURVES WITH SEATED PERSON	min. 1700		WITH M>200	260+M	
			alpha=0° alpha=45°			

We reserve the right to alter the specification without prior notification.

"LS-LS1" refer to a regular staircase with a 30° gradient. In case of different measurements, please address to VIMEC technical staff for special applications.

EQUIPMENT WITH RAIL ON THE EXTERNAL SIDE OF THE STAIRCASE



Pg 2/2

GROUND PLAN

DATA	CODICE	REV.
07/06/19	8625900	C

TECHNICAL FEATURES

Rated Load	Power	Voltage	Motor Voltage	Auxiliary voltage	Speed
130 [daN]	0.5 [KW]	230 [V-mon.]	24 [V-cc]	24 [V-cc]	6 [m/min.]

INSTALLATION REQUIREMENTS

LS	FOR STRAIGHT UNIT SWIVEL SEAT	min. 770
LS1	FOR UNIT WITH CURVES SWIVEL SEAT	min. 790
C	FOR UNIT WITH CURVES WITH SEATED PERSON	min. 1700

We reserve the right to alter the specification without prior notification.

"LS-LS1" refer to a regular staircase with a 30° gradient. In case of different measurements, please address to VIMEC technical staff for special applications.