

# Vertical platform lift E07-N

**PLATFORM DIMENSION**

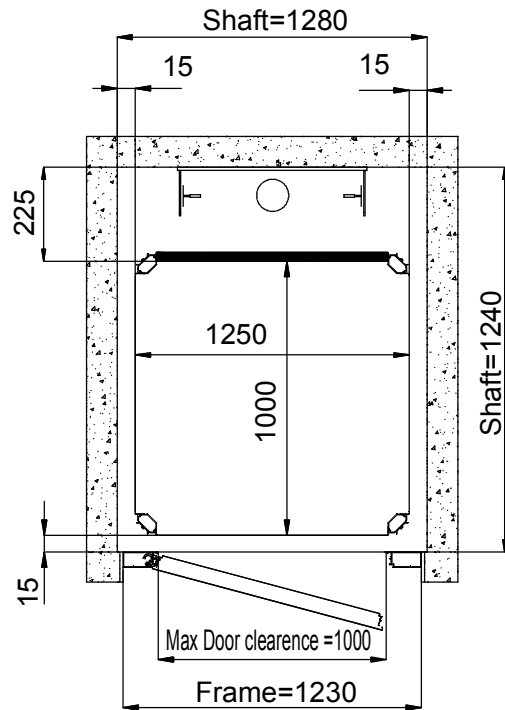
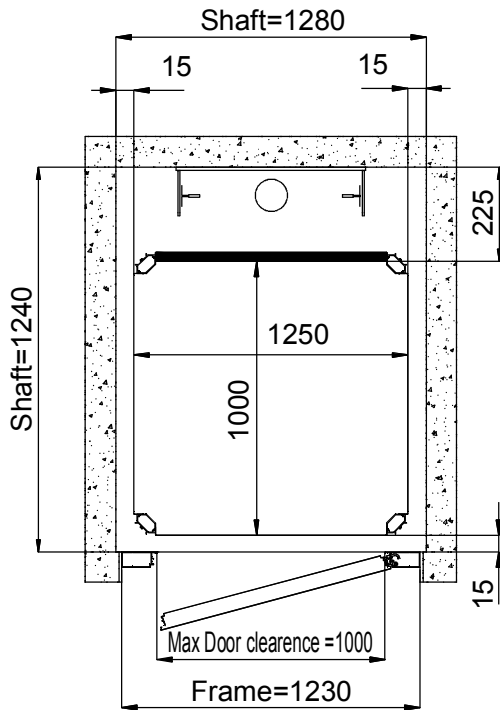
1250x1000

**CLEAR**

**DIMENSIONS 1250x1000**

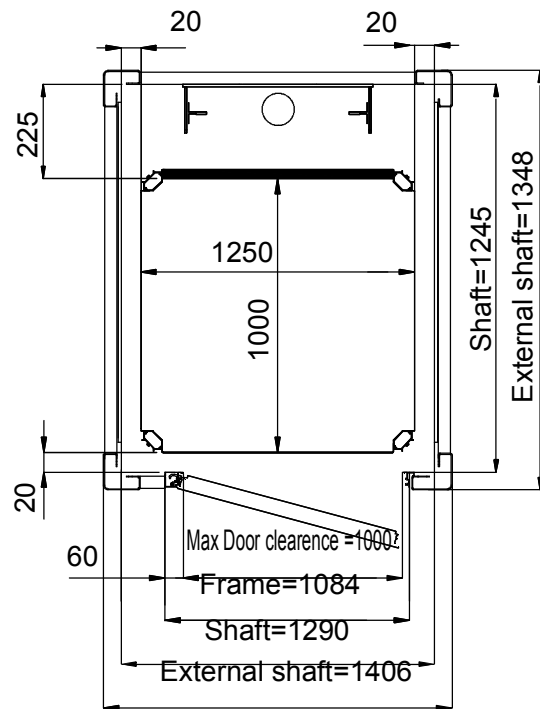
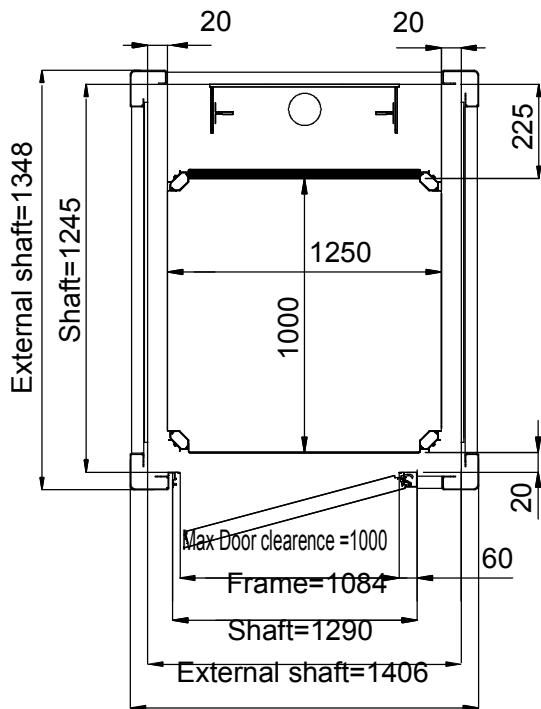
**FRONTAL ACCESS PANEL DOOR**

**MASONRY SHAFT**



**FRONTAL ACCESS ALUMINIUM DOOR**

**SHAFT**



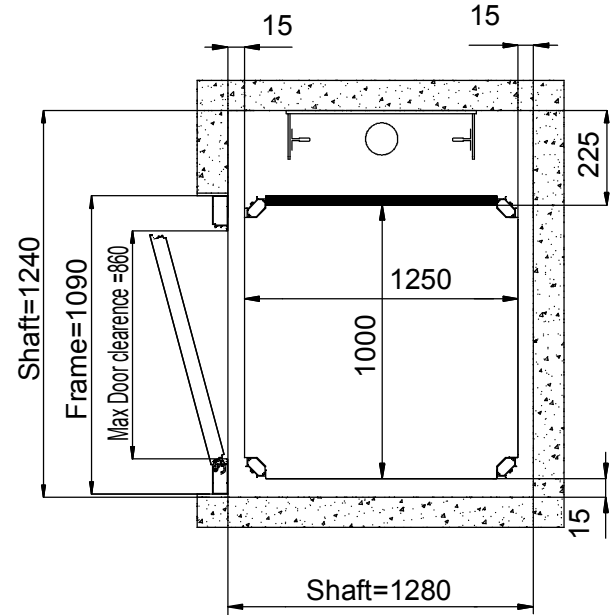
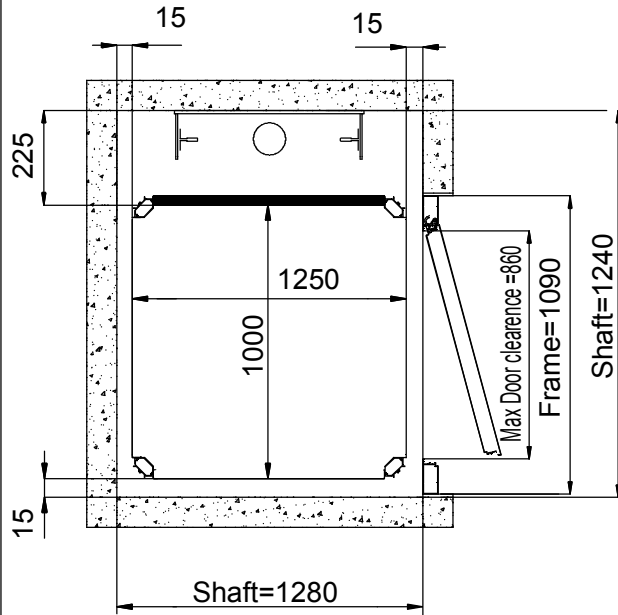
ALL DIMENSIONS IN MM.

DATA	CODICE	Rev.
20-03-14	8623203	a

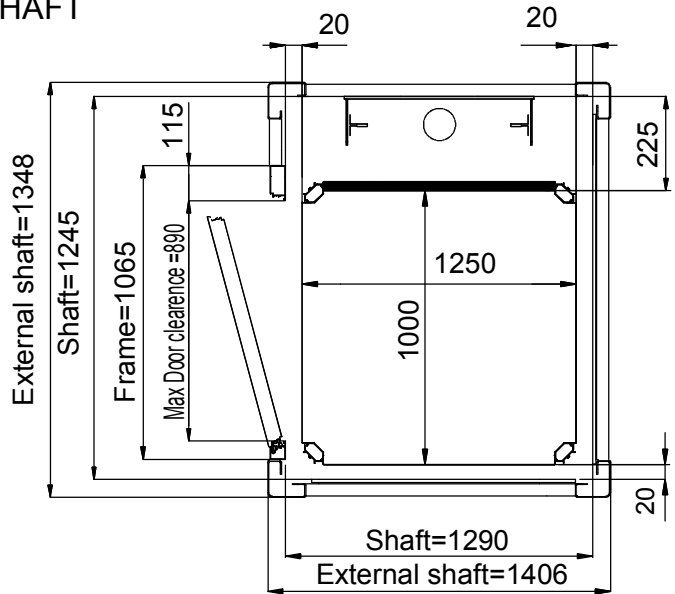
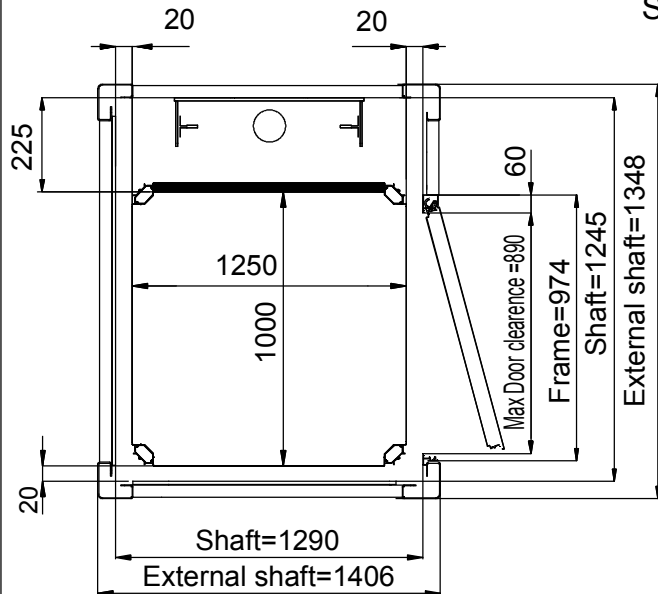
# Vertical platform lift E07-N

PLATFORM DIMENSION  
1250x1000  
CLEAR  
DIMENSIONS 1250x1000

## SIDE ACCESS PANEL DOOR MASONRY SHAFT



## SIDE ACCESS ALUMINIUM DOOR SHAFT



ALL DIMENSIONS IN MM.

DATA	CODICE	Rev.
20-03-14	8623203	a

# Vertical platform lift E07-N

**PLATFORM DIMENSION**

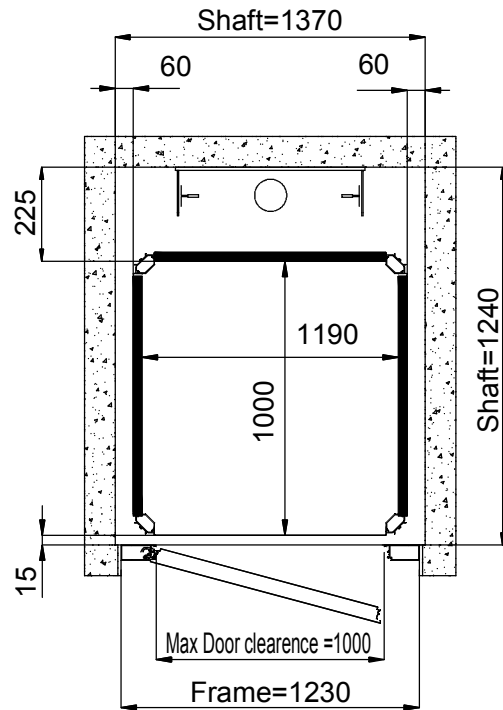
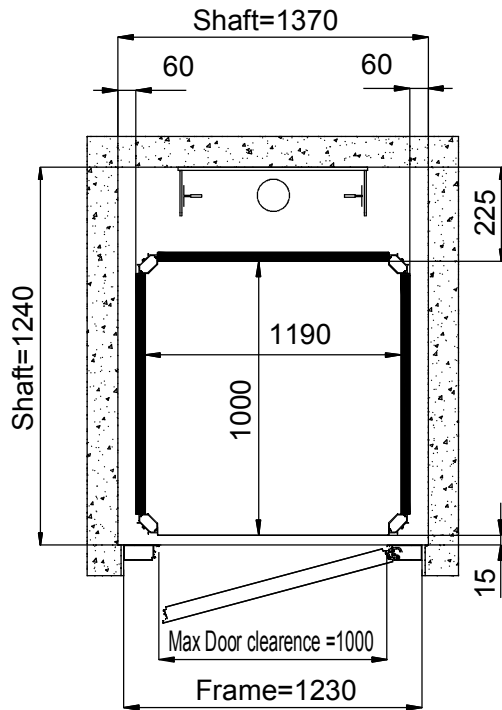
1250x1000

**CLEAR**

DIMENSIONS 1190x1000

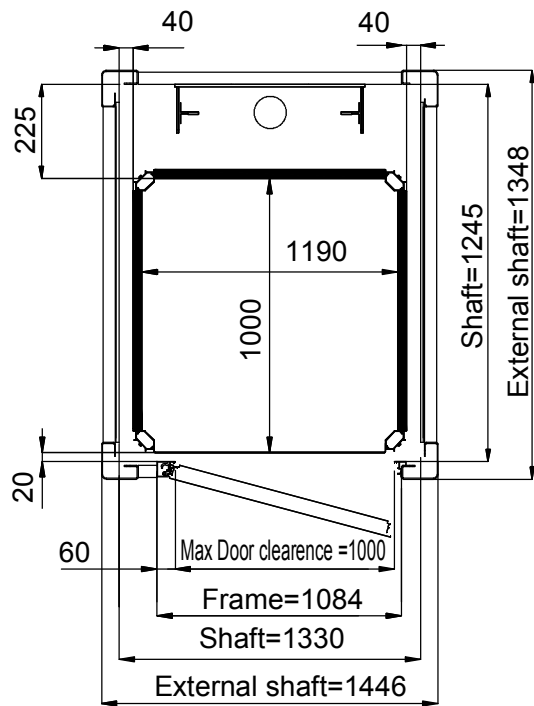
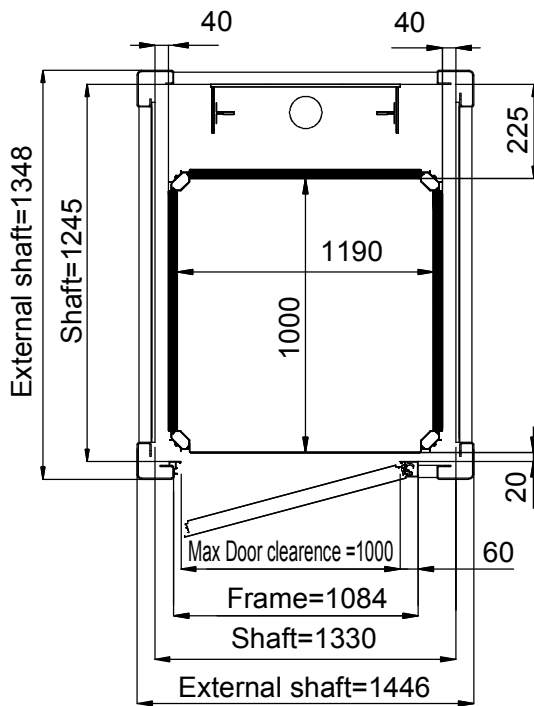
**FRONTAL ACCESS PANEL DOOR**

**MASONRY SHAFT**



**FRONTAL ACCESS ALUMINIUM DOOR**

**SHAFT**



ALL DIMENSIONS IN MM.

DATA	CODICE	Rev.
20-03-14	8623203	a

# Vertical platform lift E07-N

**PLATFORM DIMENSION**

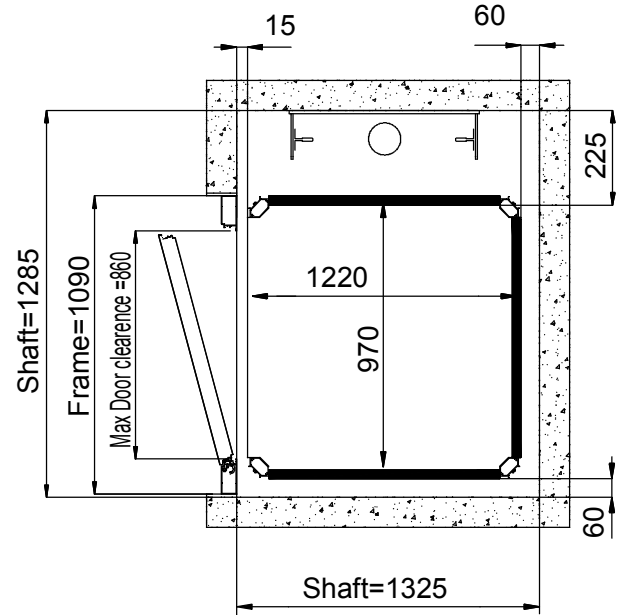
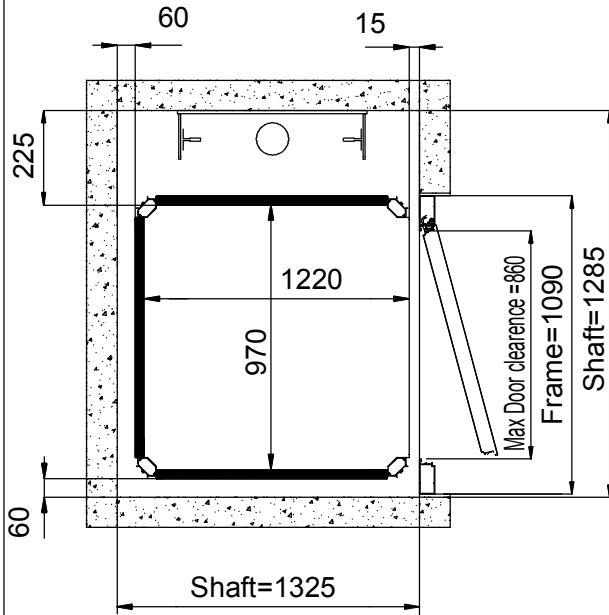
1250x1000

**CLEAR**

**DIMENSIONS 1220x970**

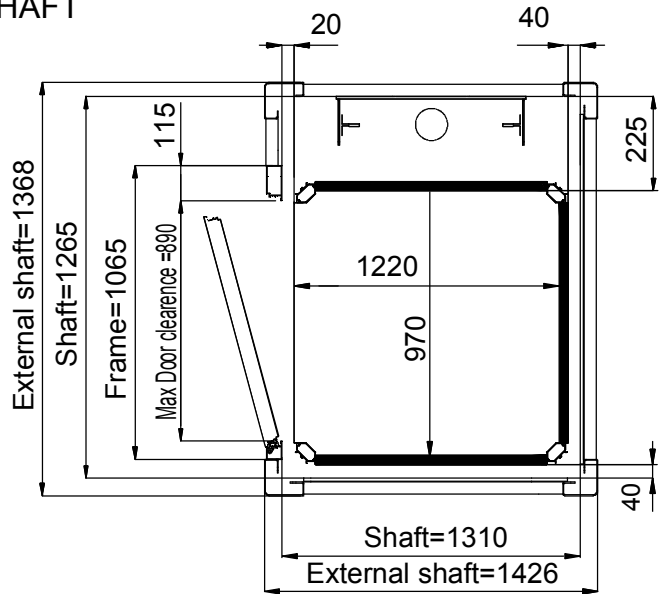
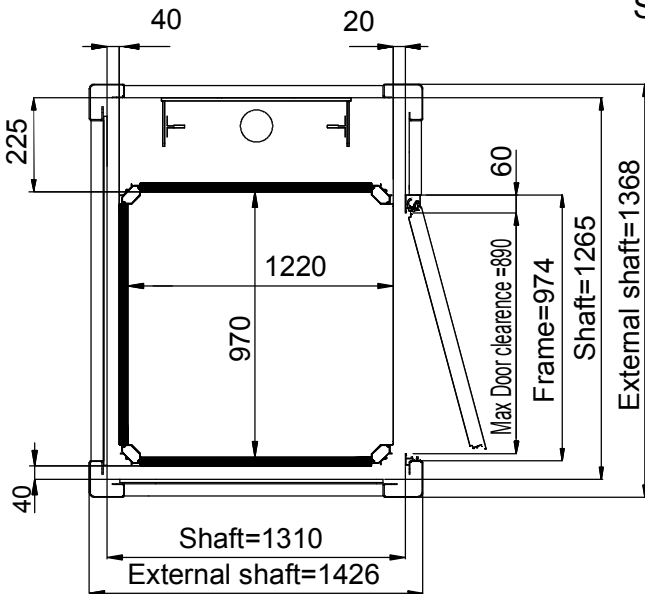
**SIDE ACCESS PANEL DOOR**

**MASONRY SHAFT**



**SIDE ACCESS ALUMINIUM DOOR**

**SHAFT**



ALL DIMENSIONS IN MM.

DATA	CODICE	Rev.
20-03-14	8623203	a

# Vertical platform lift E07-N

**PLATFORM DIMENSION**

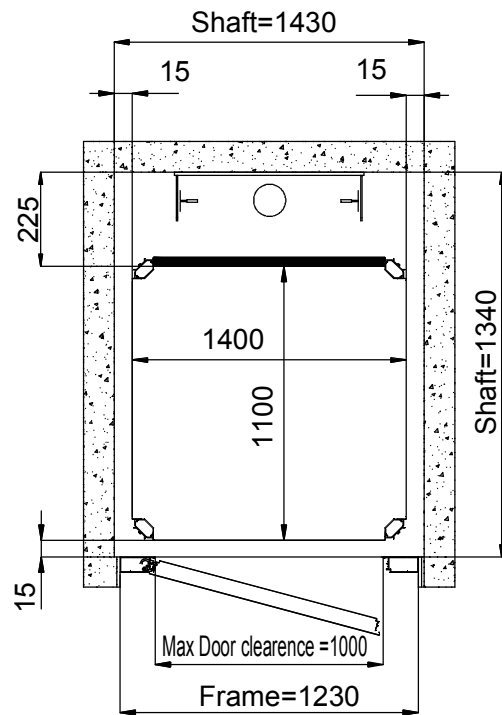
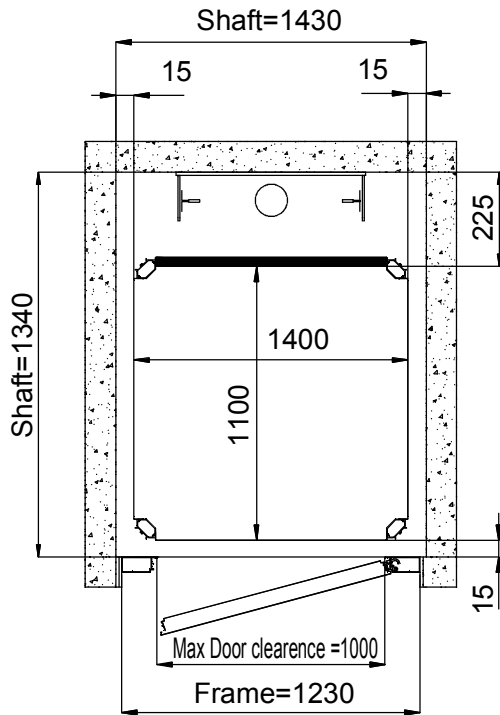
1400x1100

**CLEAR**

**DIMENSIONS 1400x1100**

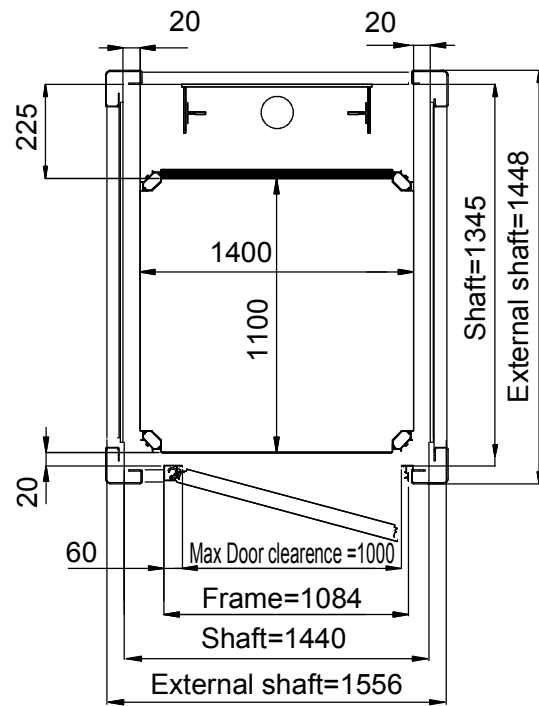
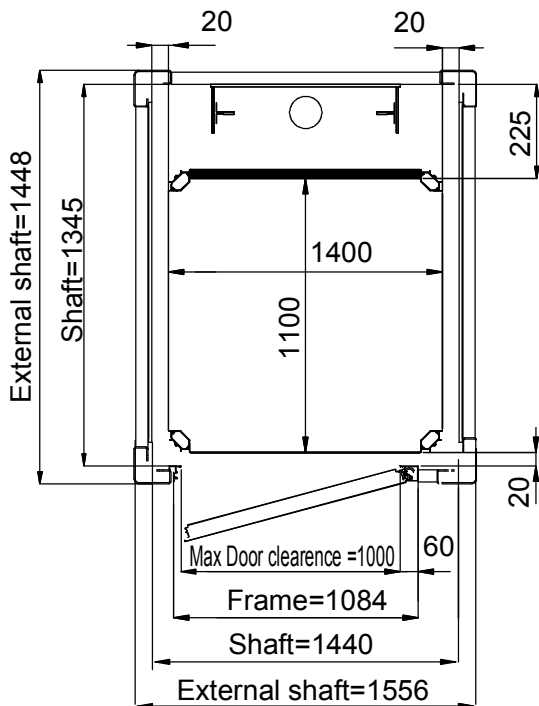
**FRONTAL ACCESS PANEL DOOR**

**MASONRY SHAFT**



**FRONTAL ACCESS ALUMINIUM DOOR**

**SHAFT**



ALL DIMENSIONS IN MM.

DATA	CODICE	Rev.
20-03-14	8623203	a

# Vertical platform lift E07-N

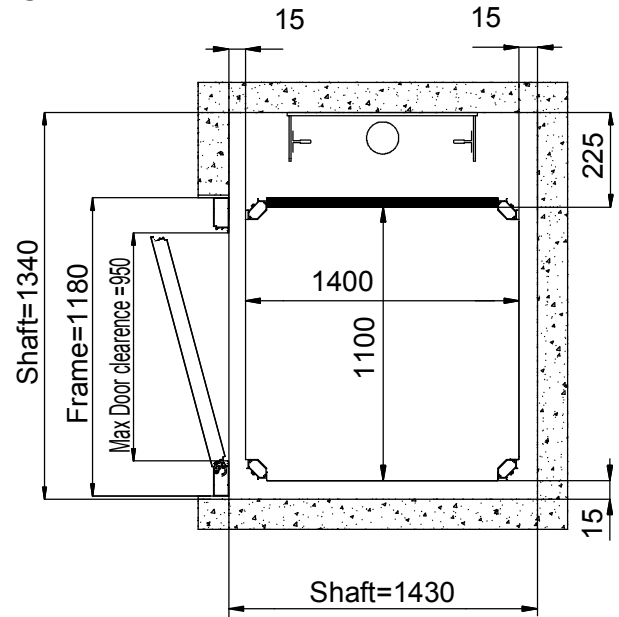
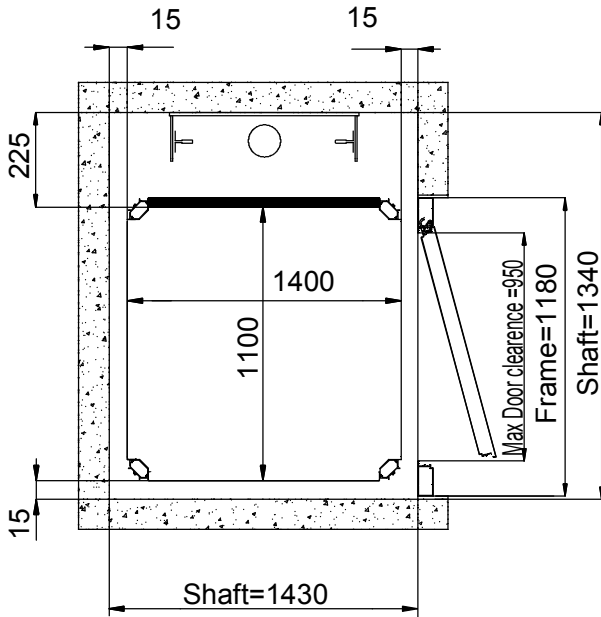
**PLATFORM DIMENSION**

1400x1100

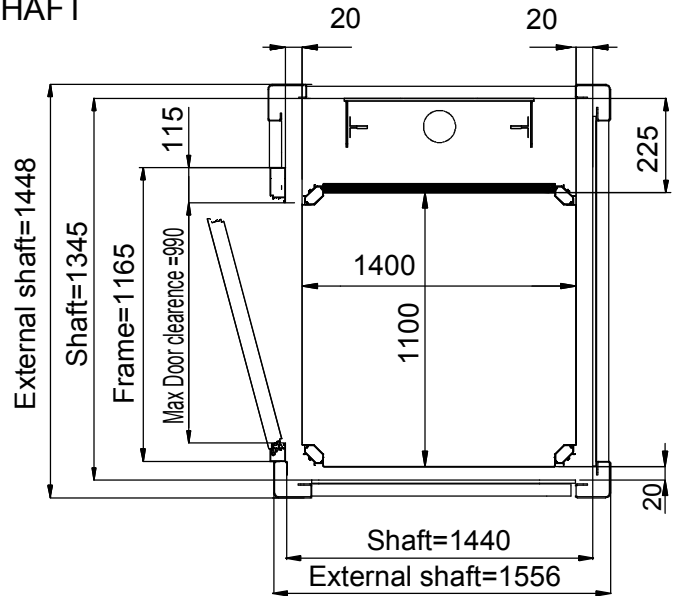
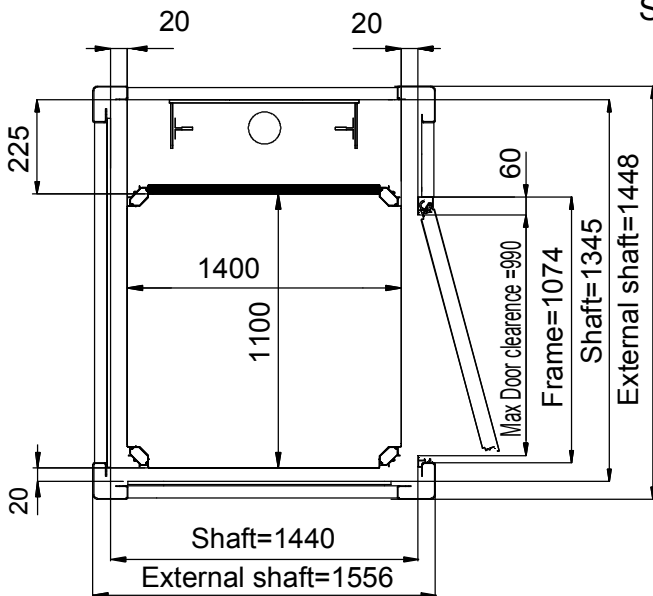
**CLEAR**

**DIMENSIONS 1400x1100**

**SIDE ACCESS PANEL DOOR  
MASONRY SHAFT**



**SIDE ACCESS ALUMINIUM DOOR  
SHAFT**



ALL DIMENSIONS IN MM.

DATA	CODICE	Rev.
20-03-14	8623203	a

# Vertical platform lift E07-N

**PLATFORM DIMENSION**

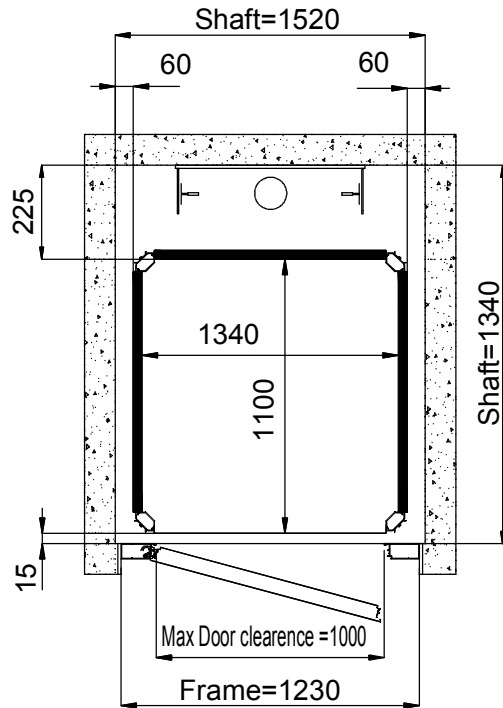
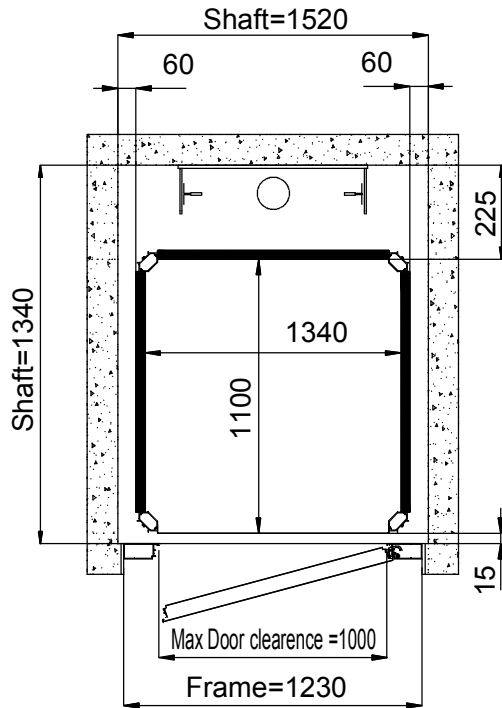
1400x1100

CLEAR

DIMENSIONS 1340x1100

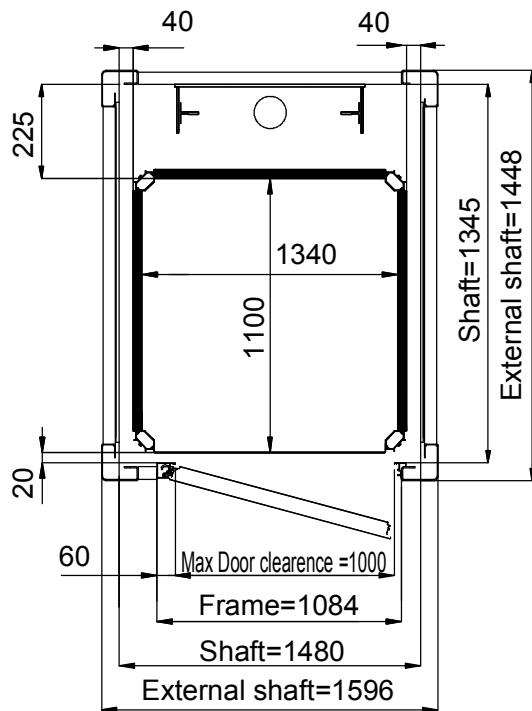
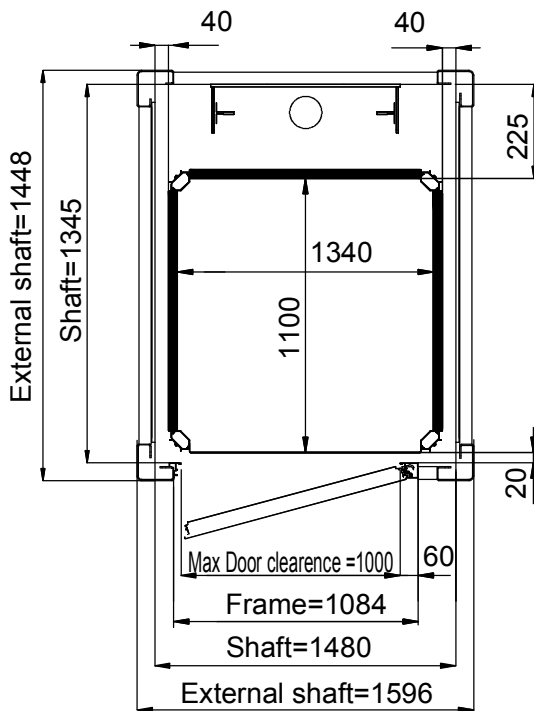
FRONTAL ACCESS PANEL DOOR

MASONRY SHAFT



FRONTAL ACCESS ALUMINIUM DOOR

SHAFT



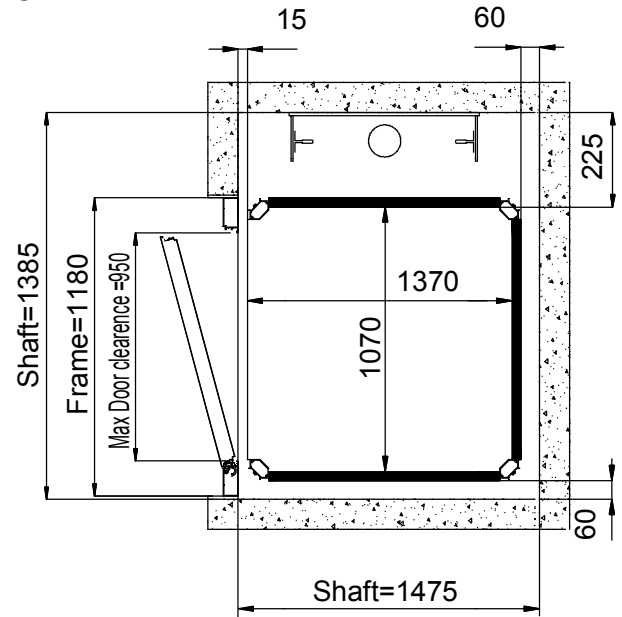
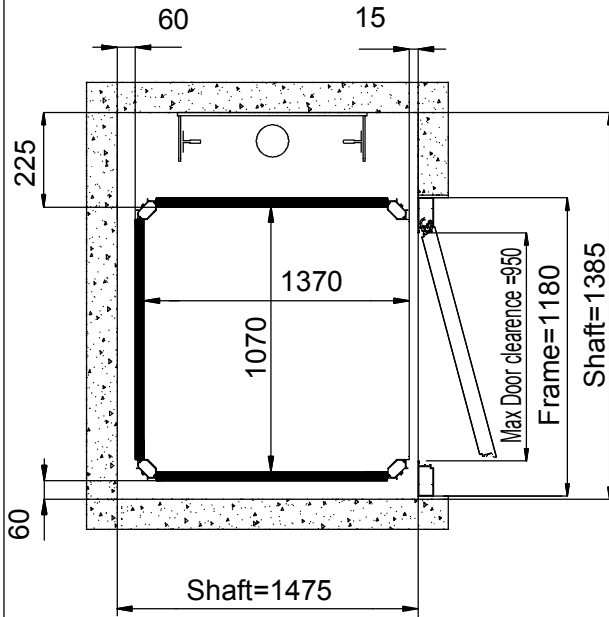
ALL DIMENSIONS IN MM.

DATA	CODICE	Rev.
20-03-14	8623203	a

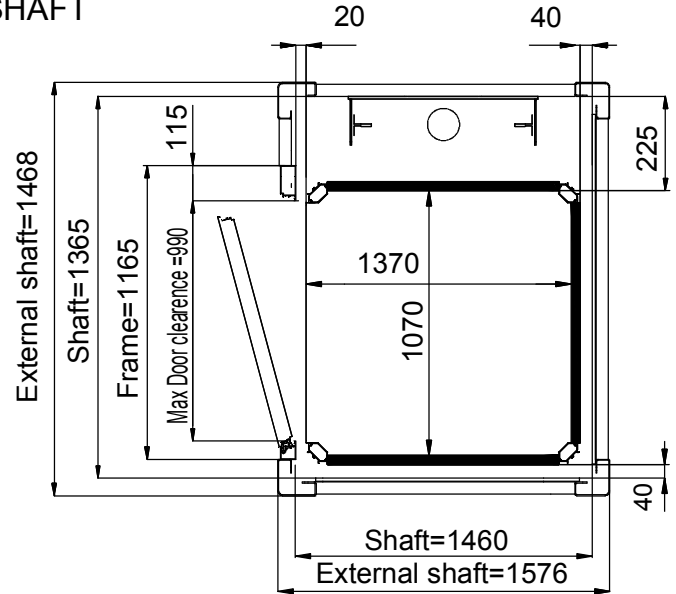
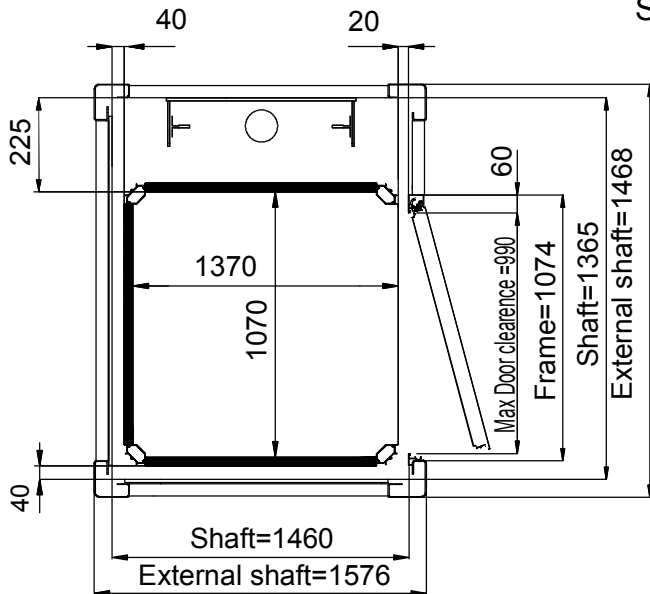
# Vertical platform lift E07-N

PLATFORM DIMENSION  
1400x1100  
CLEAR  
DIMENSIONS 1370x1070

## SIDE ACCESS PANEL DOOR MASONRY SHAFT



## SIDE ACCESS ALUMINIUM DOOR SHAFT



ALL DIMENSIONS IN MM.



# Vertical platform lift E07-N

**PLATFORM DIMENSION**

1300 x1030

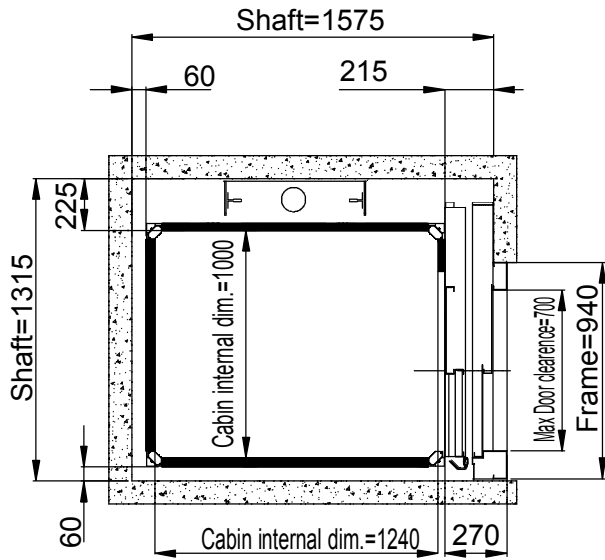
TELESCOPIC DOOR 800 mm

CLEAR

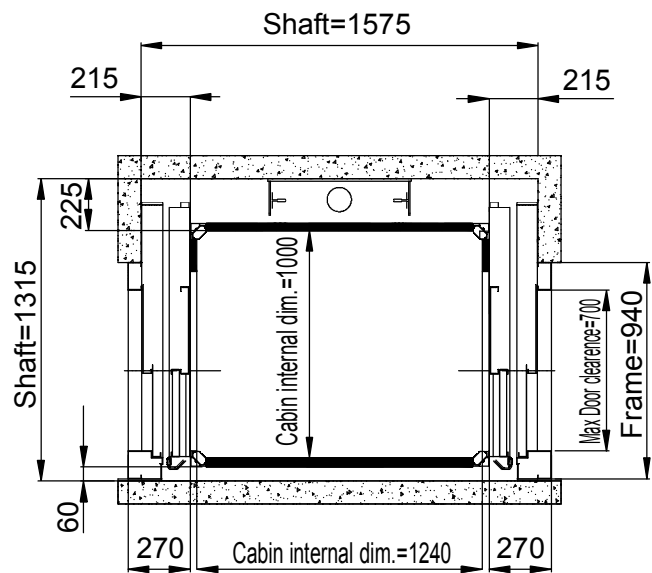
DIMENSIONS 1240x1000

MASONRY SHAFT

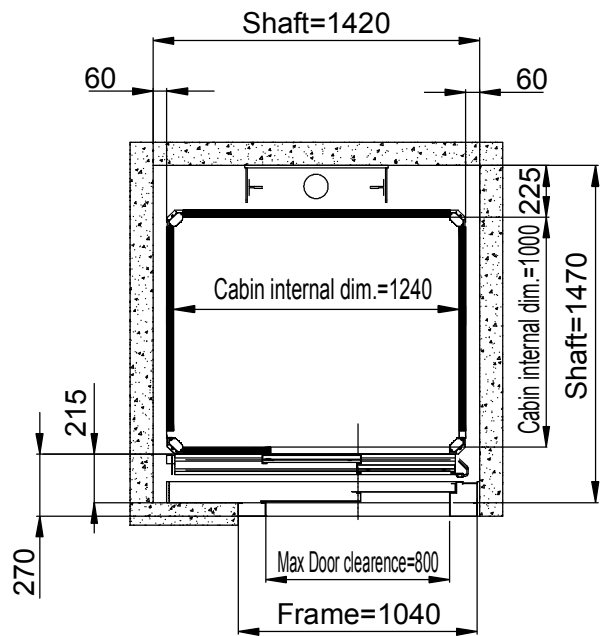
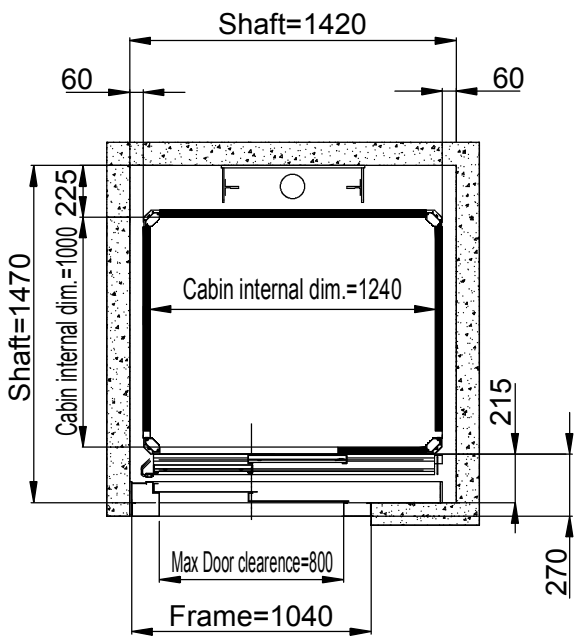
**SIDE ACCESS**



**THROUGH CAR ENTRY**



**ACCESS OPPOSITE TO RAILS WITH LEFT OR RIGHT DOOR**



ALL DIMENSIONS IN MM.

DATA	CODICE	
20-03-14	8623203	a

# Vertical platform lift E07-N

## PLATFORM DIMENSION

1300 x 1030

TELESCOPIC DOOR 800 mm

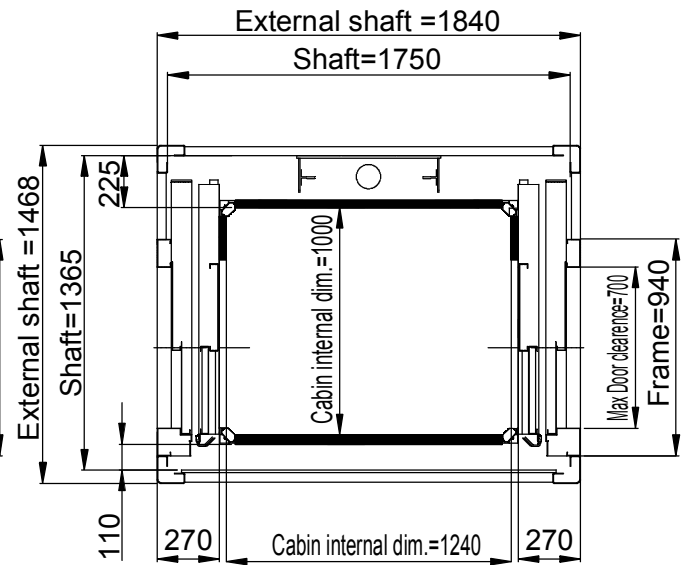
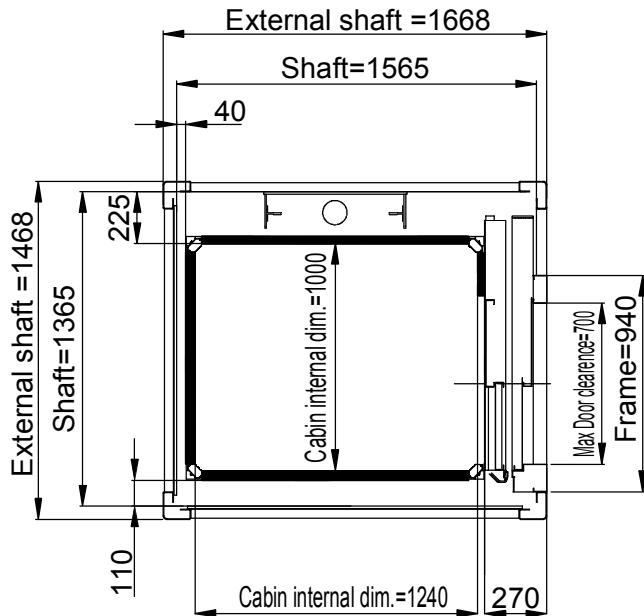
CLEAR

DIMENSIONS 1240x1000

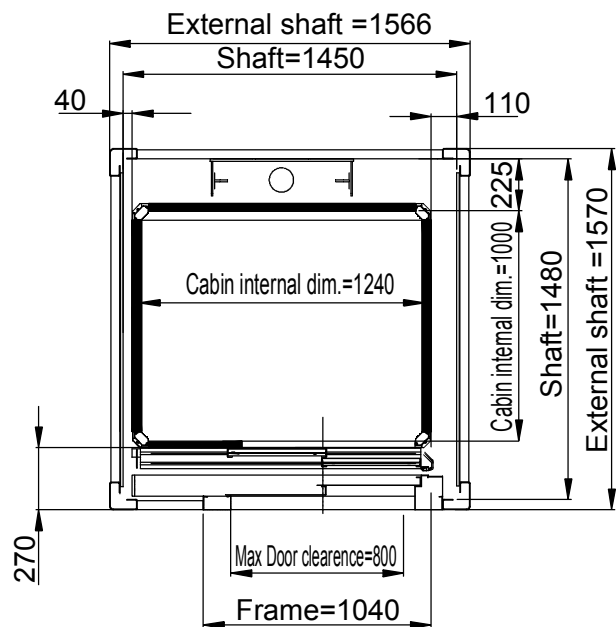
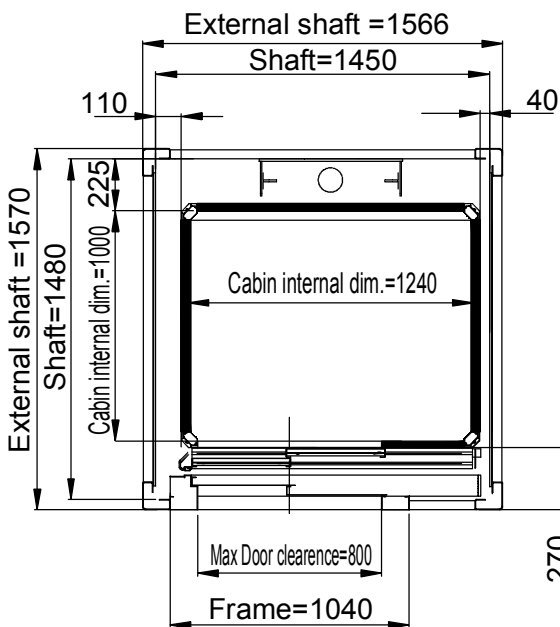
SHAFT

SIDE ACCESS

THROUGH CAR ENTRY



ACCESS OPPOSITE TO RAILS WITH LEFT OR RIGHT DOOR



ALL DIMENSIONS IN MM.

# Vertical platform lift E07-N

**PLATFORM DIMENSION**

1460x1170

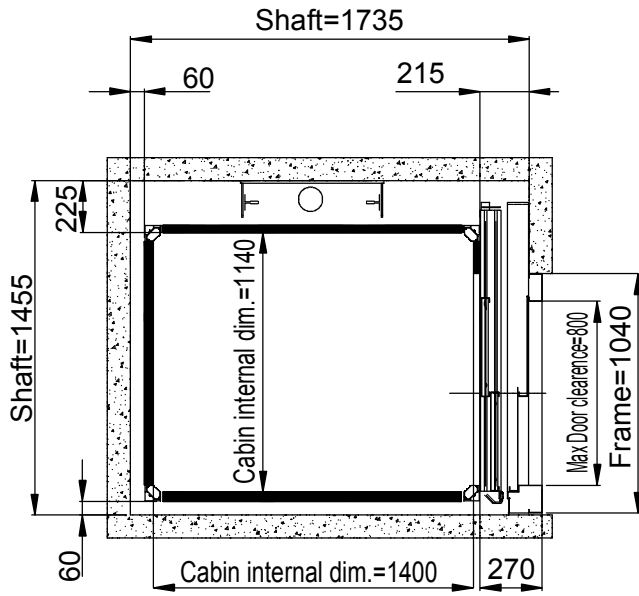
TELESCOPIC DOOR 900 mm

CLEAR

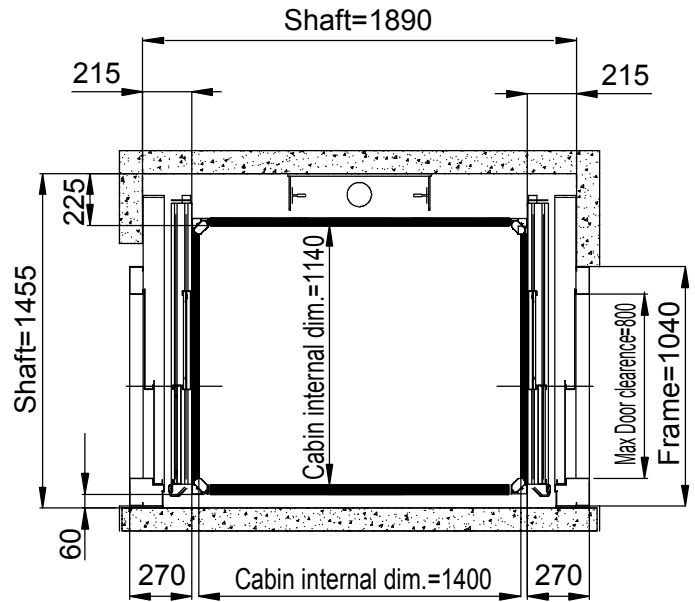
MASONRY SHAFT

DIMENSIONS 1400x1140

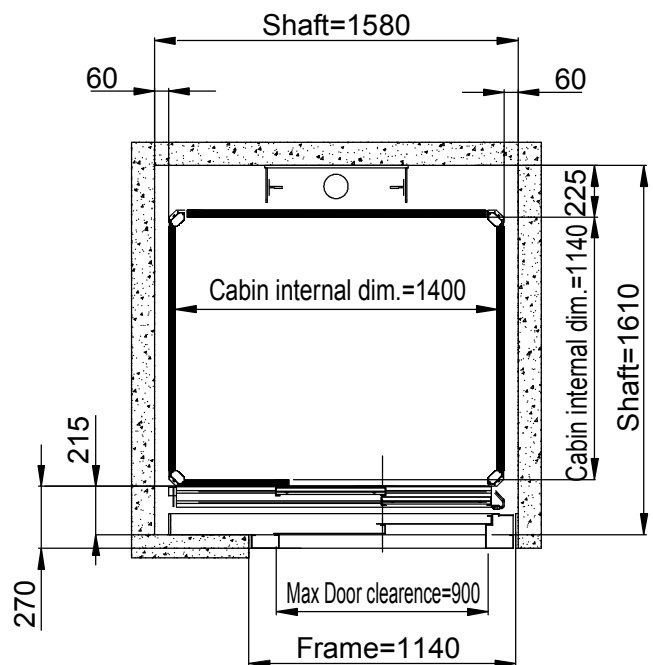
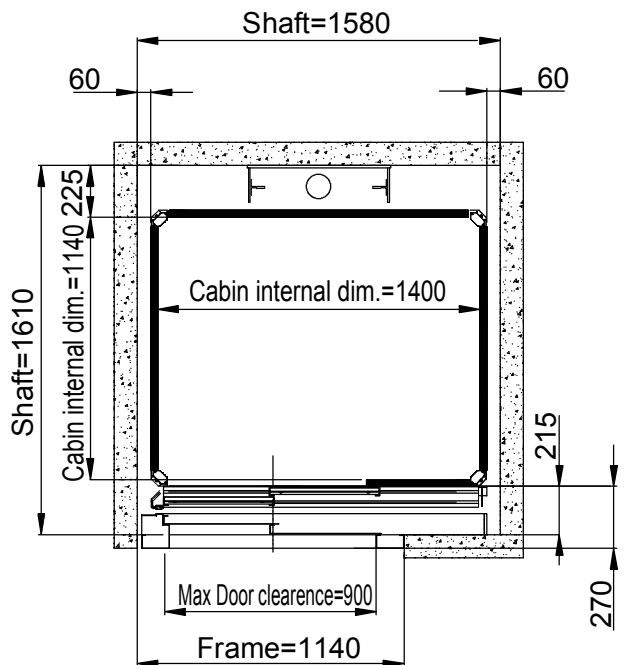
**SIDE ACCESS**



**THROUGH CAR ENTRY**



**ACCESS OPPOSITE TO RAILS WITH LEFT OR RIGHT DOOR**



ALL DIMENSIONS IN MM.

DATA	CODICE	Rev.
20-03-14	8623203	a

# Vertical platform lift E07-N

**PLATFORM DIMENSION**

1460x1170

TELESCOPIC DOOR 900 mm

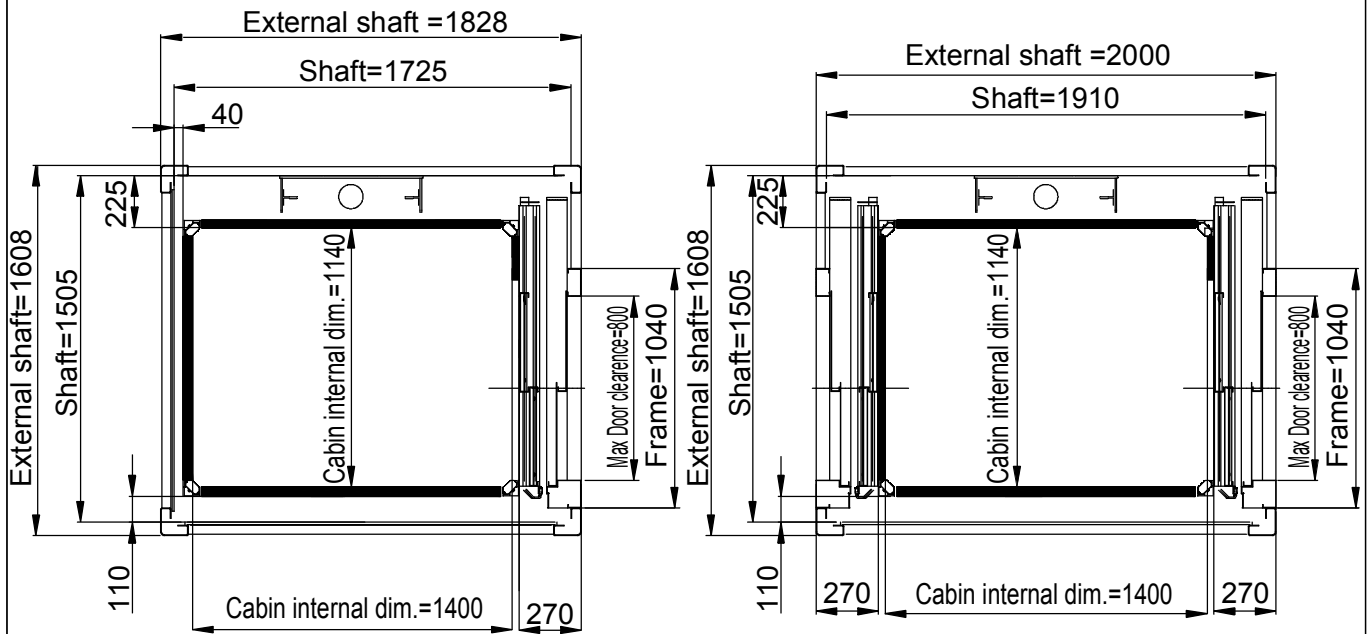
CLEAR

DIMENSIONS 1400x1140

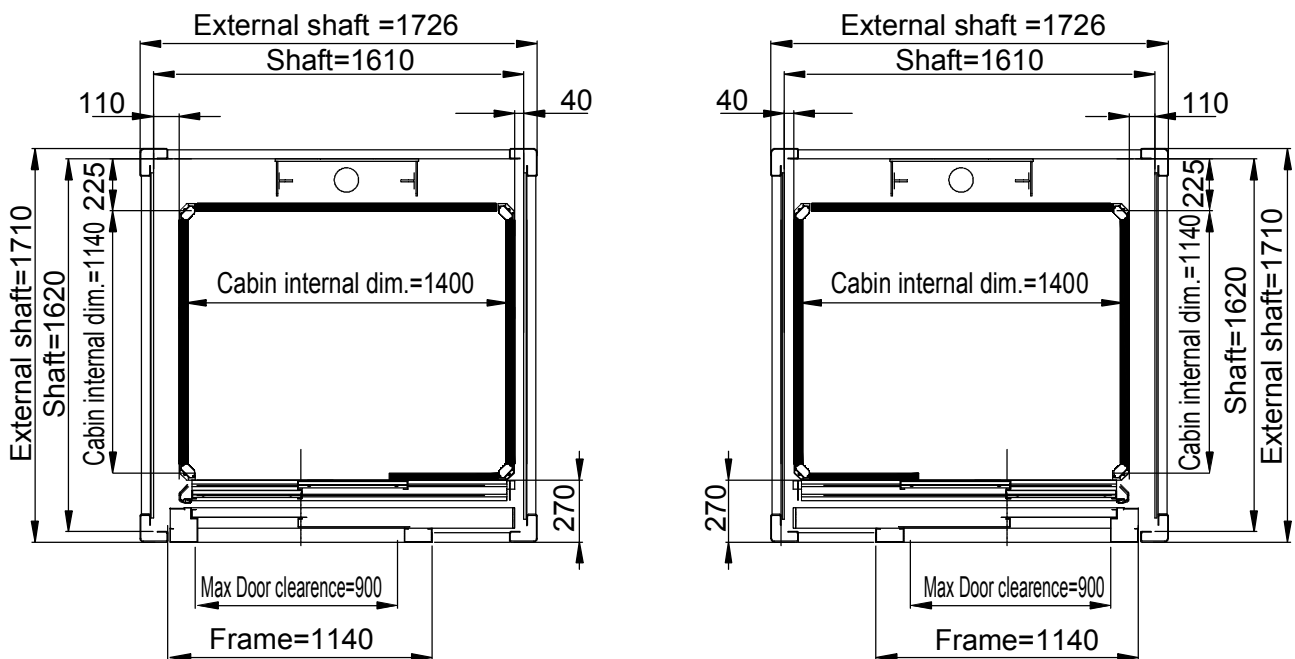
SHAFT

SIDE ACCESS

THROUGH CAR ENTRY



ACCESS OPPOSITE TO RAILS WITH LEFT OR RIGHT DOOR



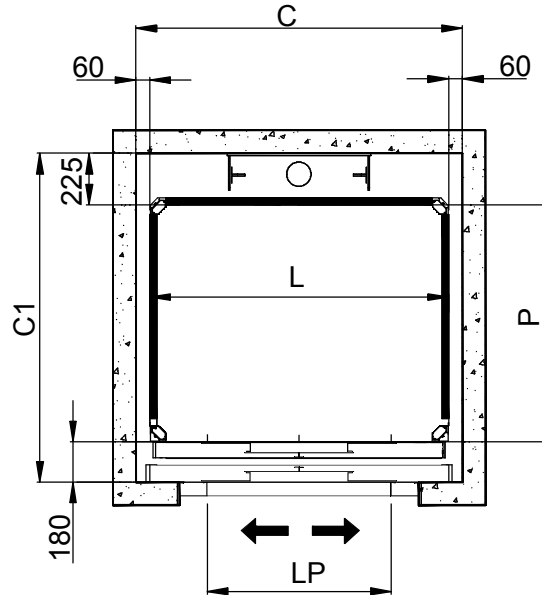
ALL DIMENSIONS IN MM.

DATA	CODICE	Rev.
20-03-14	8623203	a

# Vertical platform lift E07-N

MASONRY SHAFT

FRONTAL ACCESS



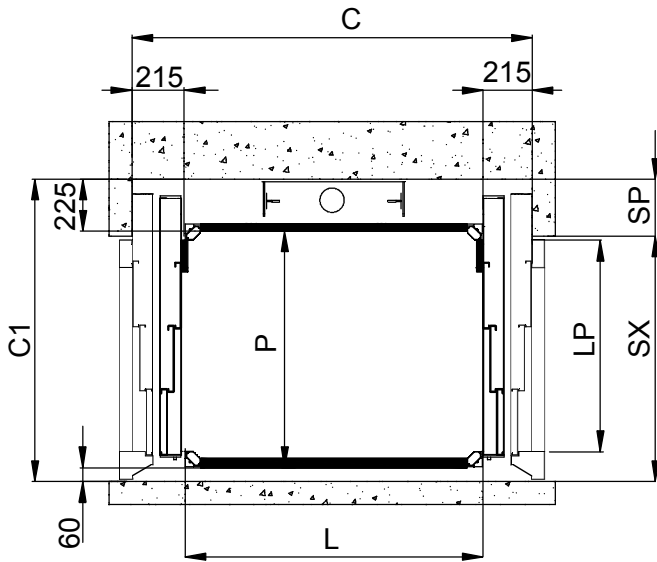
	LP
	800
L	1160
P	$900 \leq X \leq 1250$
C	1310
C1	$1310 \leq X \leq 1660$

ALL DIMENSIONS IN MM.

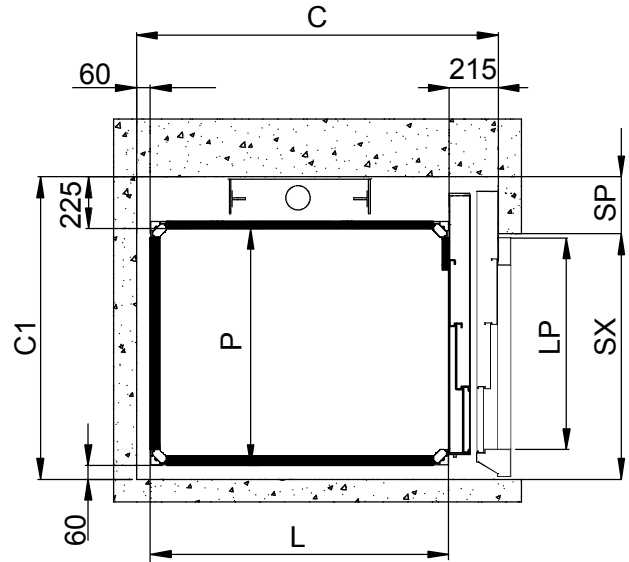
# Vertical platform lift E07-N

## MASONRY SHAFT

THROUGH CAR ENTRY



SIDE ACCESS



	LP			
	700	750	800	900
L	770 ≤ X ≤ 1460			
P min	870	920	990	1120
C	1200 ≤ X ≤ 1890			
C1	1160	1200	1280	1400
SX	950	1000	1050	1150
SP	200	200	220	250

	LP			
	700	750	800	900
L	770 ≤ X ≤ 1460			
P min	870	920	990	1120
C	1045 ≤ X ≤ 1735			
C1	1160	1200	1280	1400
SX	950	1000	1050	1150
SP	200	200	220	250

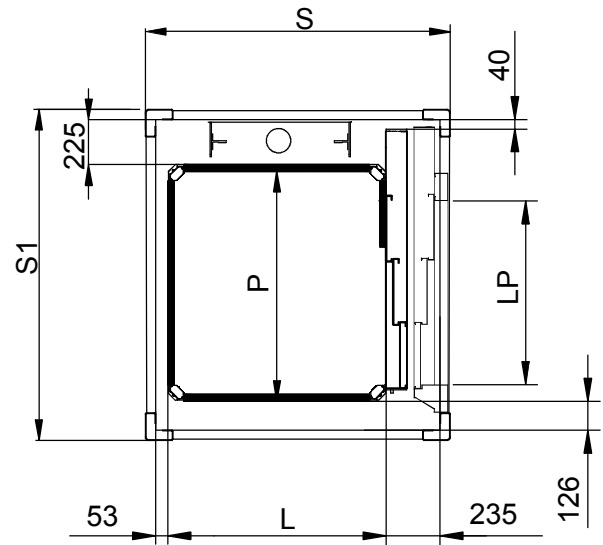
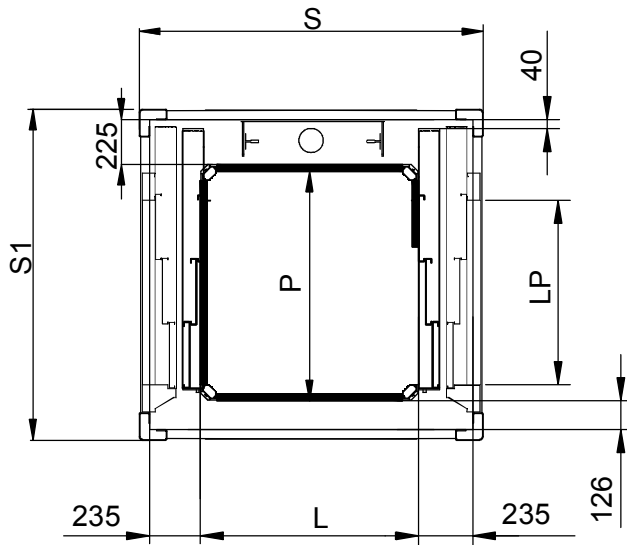
ALL DIMENSIONS IN MM.

# Vertical platform lift E07-N

SHAFT

THROUGH CAR ENTRY

SIDE ACCESS



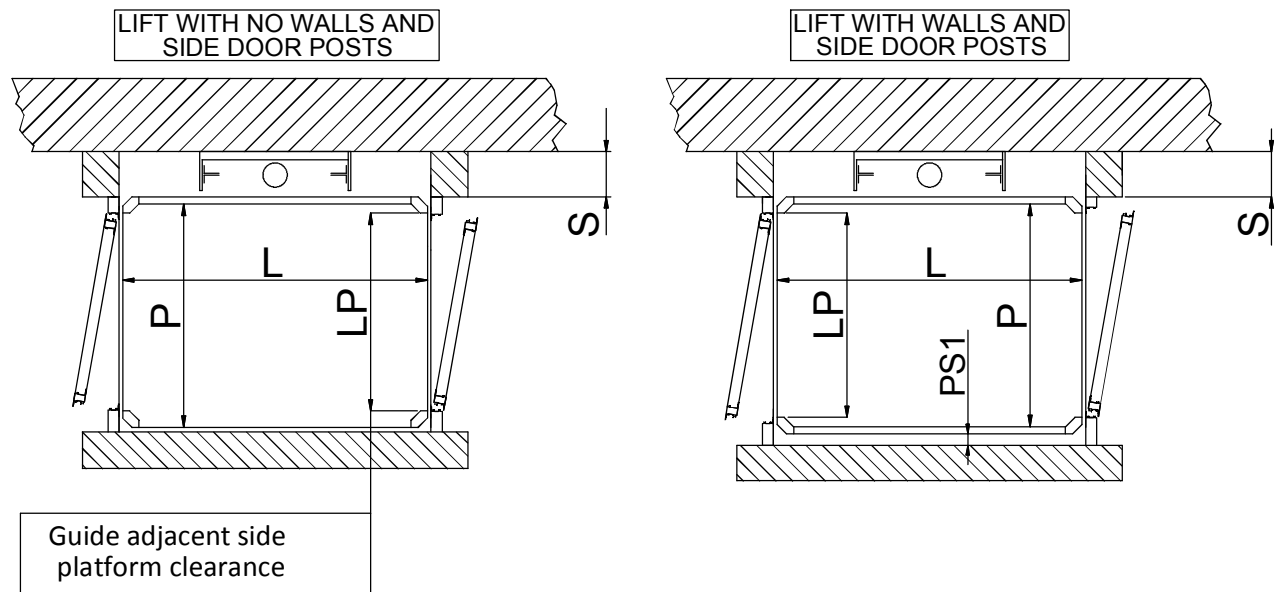
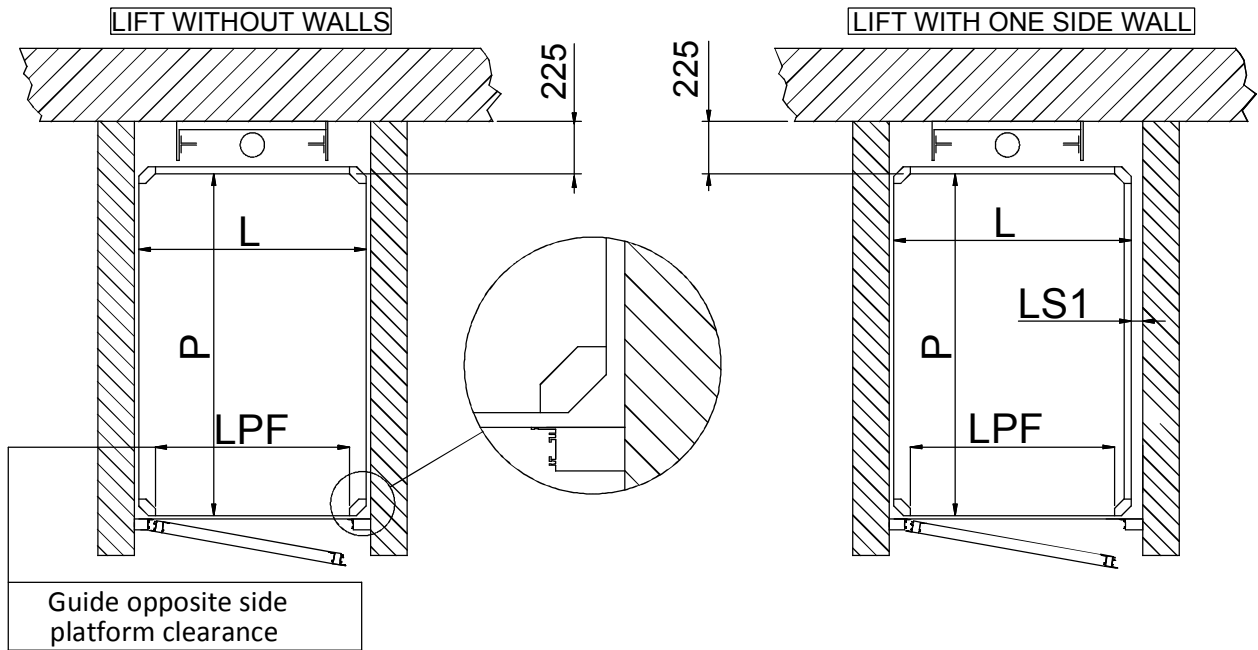
	LP			
	700	750	800	900
L	770 ≤ X ≤ 1460			
P	880	930	1000	1130
S	1330 ≤ X ≤ 2020			
S1	1320	1370	1440	1570

	LP			
	700	750	800	900
L	770 ≤ X ≤ 1460			
P	880	930	1000	1130
S	1150 ≤ X ≤ 1840			
S1	1320	1370	1440	1570

ALL DIMENSIONS IN MM.

# Vertical platform lift E07-N

## LIFT TOP VIEW (MASONRY SHAFT)



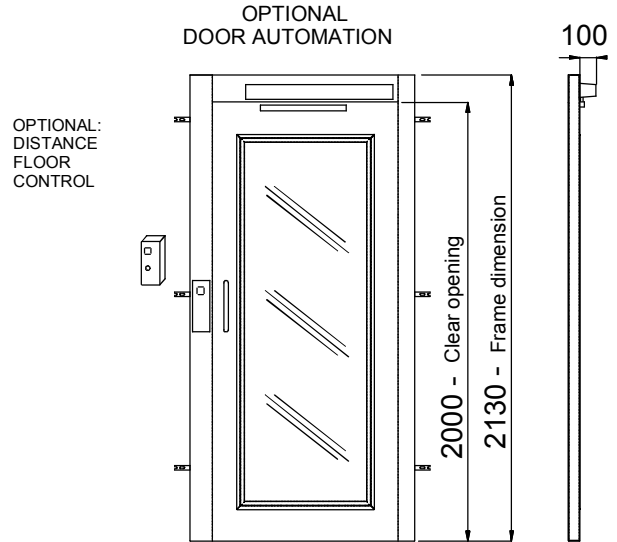
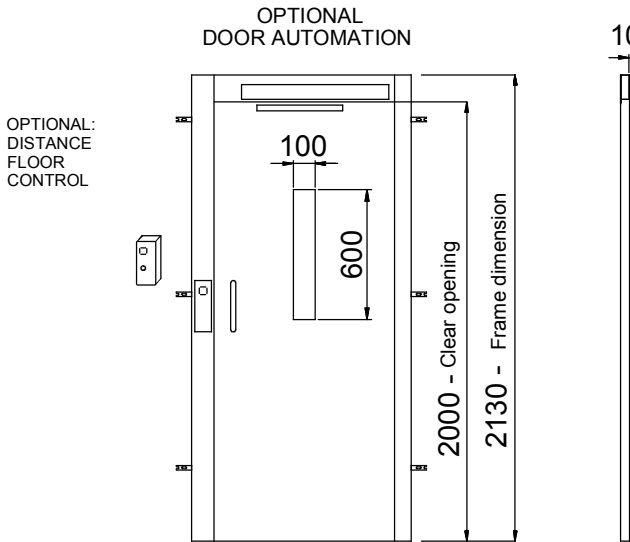
### STANDARD PLATFORM DIMENSIONS

	L (Width)	P (depth)		L (Width)	P (depth)
	1250	1000			
	1400	1100			
	1460	1170			
	1300	1030			
LP	P-110 (ON-BOARD CONTROL PANEL EXCLUDED)		S = 150	(ALUMINIUM DOOR)	
LPF	L-140 (ON-BOARD CONTROL PANEL EXCLUDED)		S = 140	(VENEERED DOOR WITH CONTROL PANEL ON GUIDE SIDE)	
PS1=LS1	60		S = 170	(VENEERED DOOR WITH HINGES ON SIDE GUIDE)	

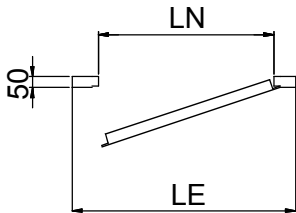


# Vertical platform lift E07-N

## DOOR TYPE

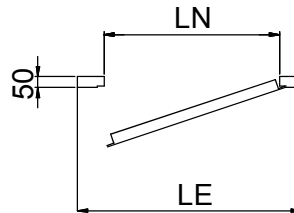


PANEL DOOR



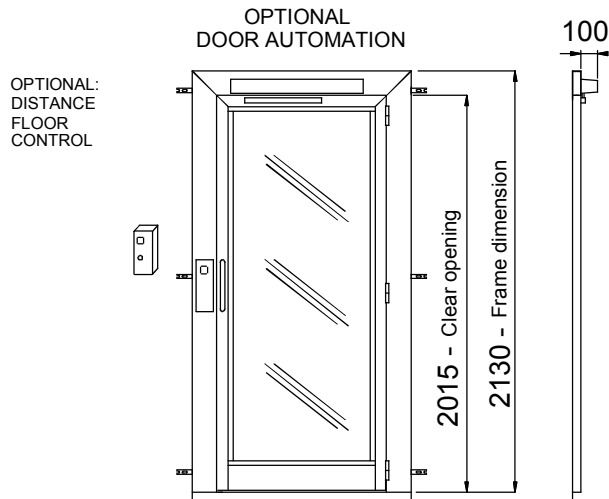
LN	LE
600	830
650	880
700	930
750	980
800	1030
860	1090
900	1130
950	1180
1000	1230

PANORAMIC PANEL DOOR



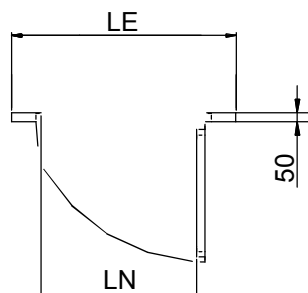
LN	LE
800	1030
860	1090
900	1130

LN = CLEAR OPENING

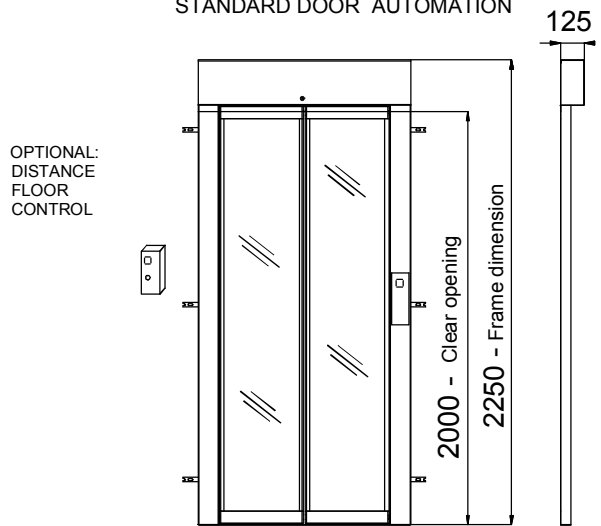


ALUMINUM PANORAMIC DOOR

LN	LE
600	830
650	880
700	930
750	980
800	1030
860	1090
900	1130
950	1180
1000	1230

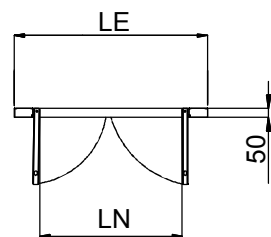


STANDARD DOOR AUTOMATION



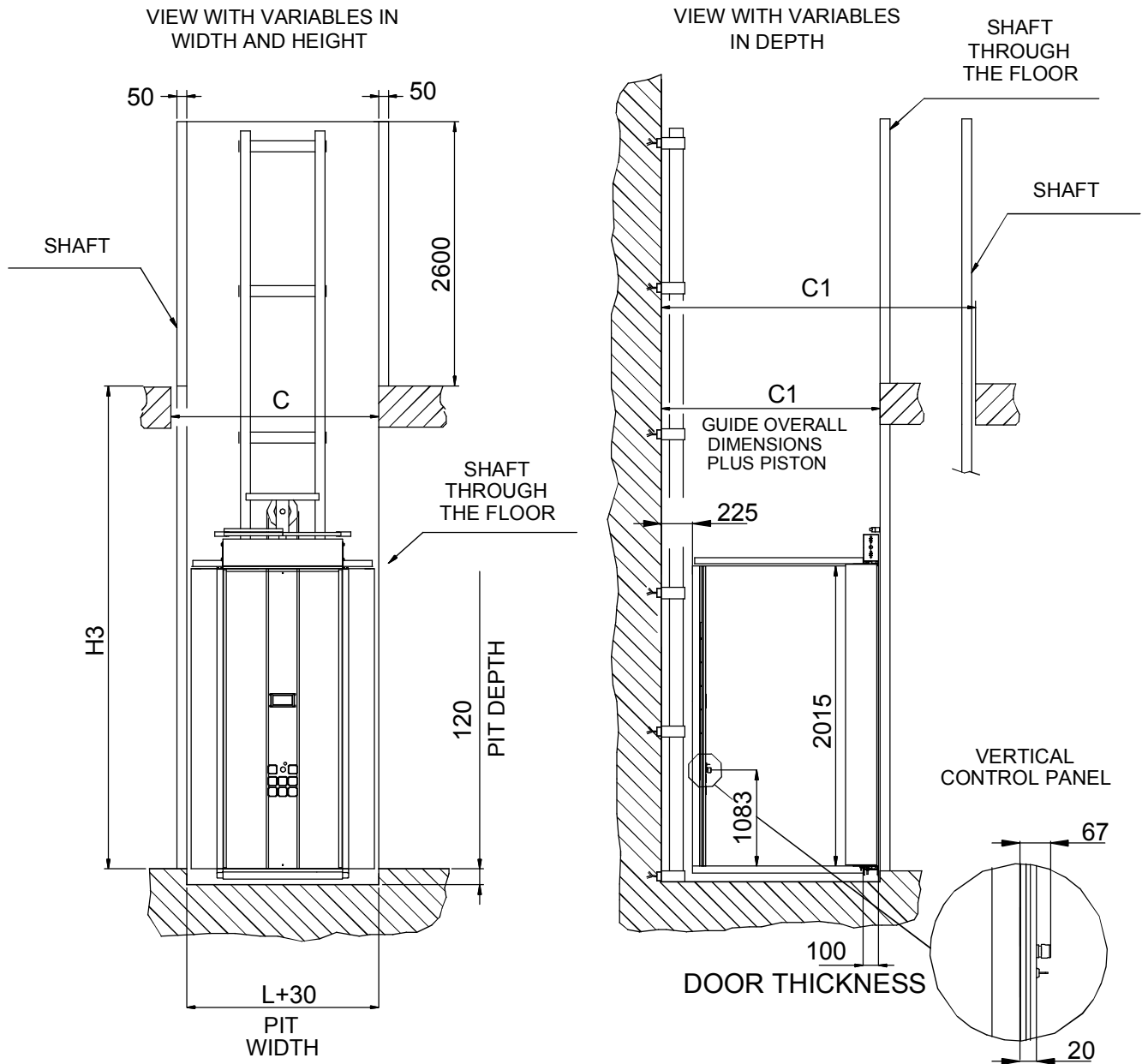
PANORAMIC DOUBLE HINGED DOOR

	LN	LE
Spec.	750	1030
	800	1080
	860	1130
	900	1180
Spec.	950	1230



# Vertical platform lift E07-N

## LIFT FRONT AND SIDE VIEW (WITH GUARDS)



WALLS ARE ALWAYS SUPPLIED IN CASA OF CABIN WITH DOOR

### STANDARD DIMENSIONS WITH CABIN DOOR

C Shaft width	WITH SHAFTS THROUGH THE FLOOR OR MASONRY SHAFT	**	L+120
	WITH ONE SHAFT		L+180
	WITH TWO SHAFTS		L+240
C Shaft depth	WITH SHAFTS THROUGH THE FLOOR OR MASONRY SHAFT	**	P+340
	WITH SHAFTS		P+400

# Vertical platform lift E07-N

PANEL DOOR

## LIFT FRONT AND SIDE VIEW (WITH GUARDS)

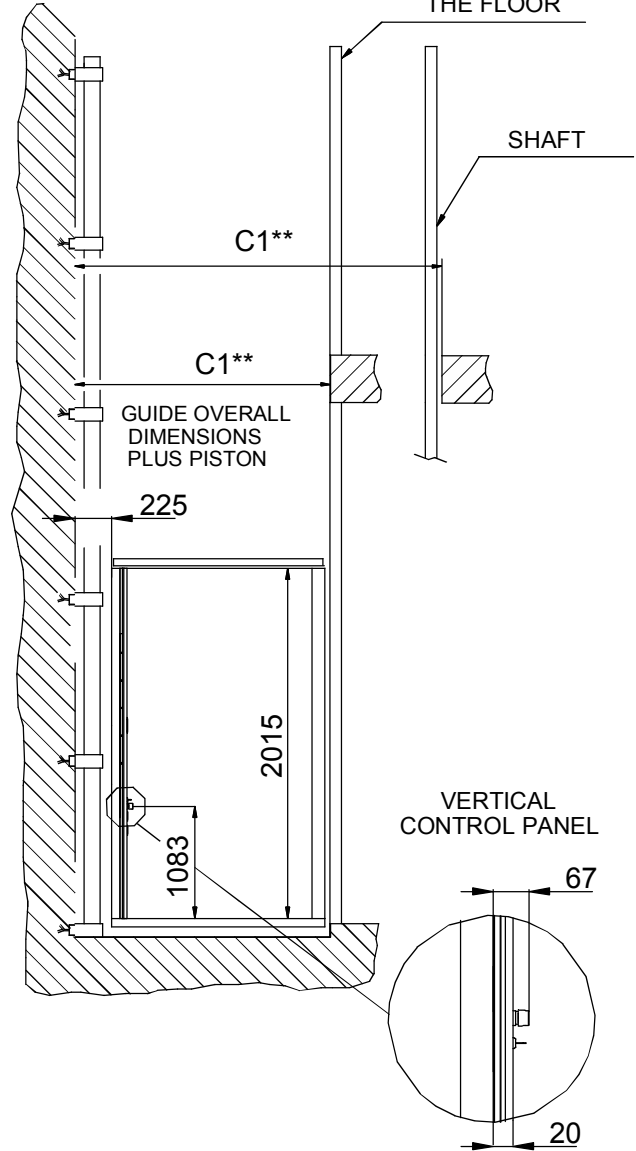
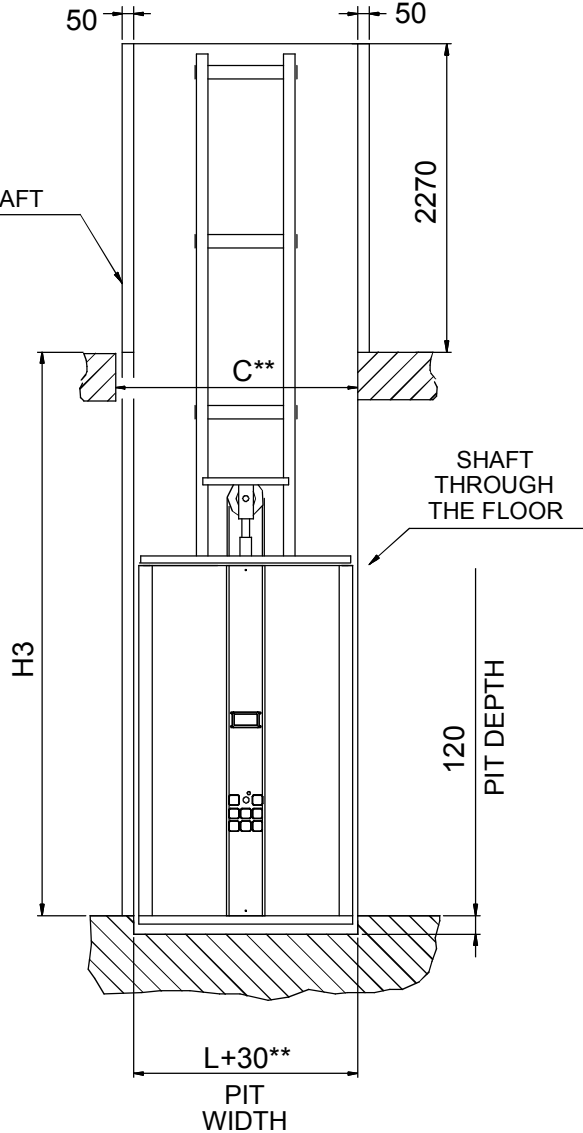
VIEW WITH VARIABLES IN  
WIDTH AND HEIGHT

VIEW WITH VARIABLES  
IN DEPTH

SHAFT  
THROUGH  
THE FLOOR

SHAFT

SHAFT



\*\* ADD 45 mm FOR EACH SIDE WITH ADDITIONAL CABIN WALL

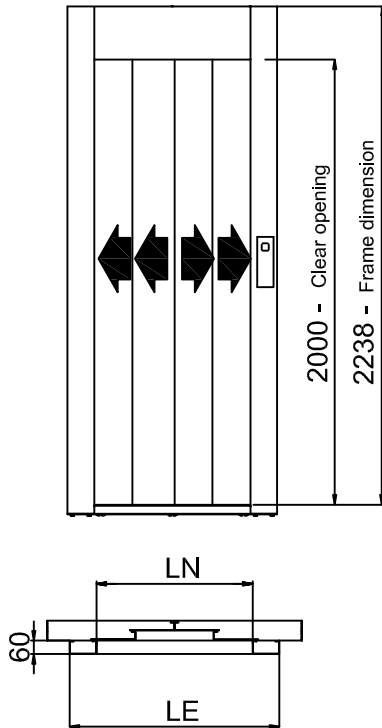
### STANDARD DIMENSIONS

C Shaft width	WITH SHAFTS THROUGH THE FLOOR OR MASONRY SHAFT	**	L+30
	WITH ONE SHAFT		L+90
	WITH TWO SHAFTS		L+150
C Shaft depth	WITH SHAFTS THROUGH THE FLOOR OR MASONRY SHAFT	**	P+240
	WITH SHAFTS		P+300

# Vertical platform lift E07-N

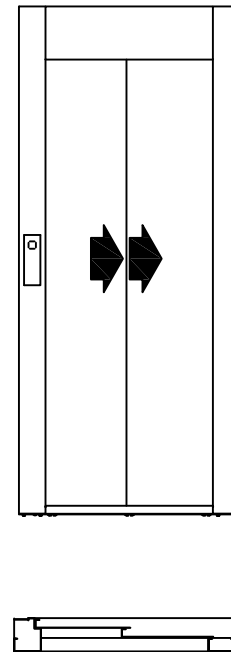
## SLIDING DOOR TYPE

CENTRAL OPENING TELESCOPIC DOOR (C4)



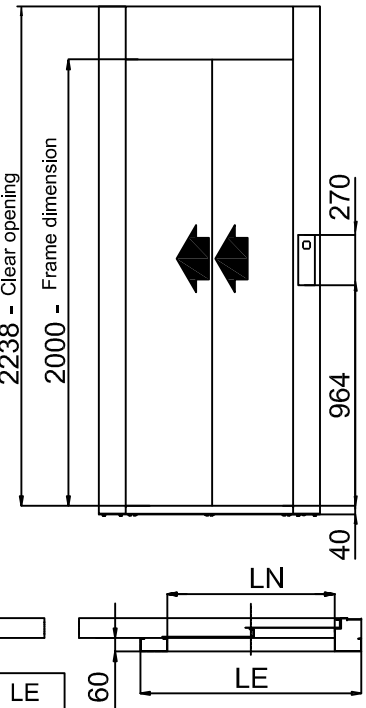
LN	LE
700	940
750	990
800	1040
900	1140

LEFT SIDE TWO-SPEED TELESCOPIC DOOR (T2)



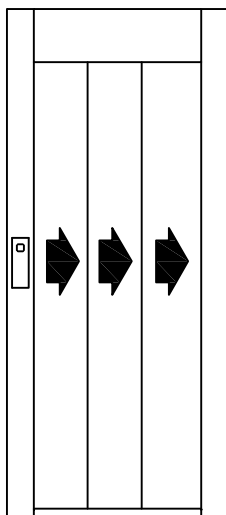
LN	LE
700	940
750	990
800	1040
900	1140

RIGHT SIDE TWO-SPEED TELESCOPIC DOOR (T2)



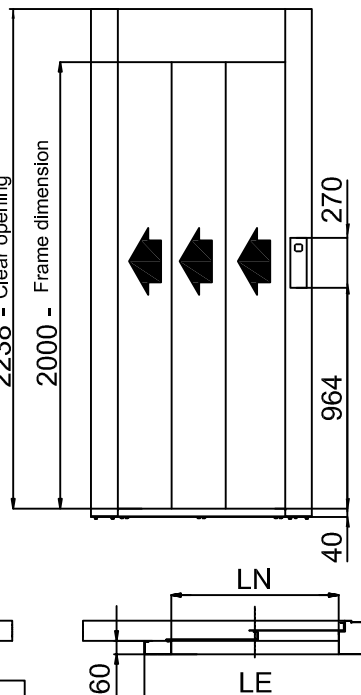
LN = CLEAR OPENING

LEFT SIDE TWO-SPEED TELESCOPIC DOOR (T3)



LN	LE
700	940
750	990
800	1040
900	1140

RIGHT SIDE TWO-SPEED TELESCOPIC DOOR (T3)



## CONTROL BOX DIMENSION

